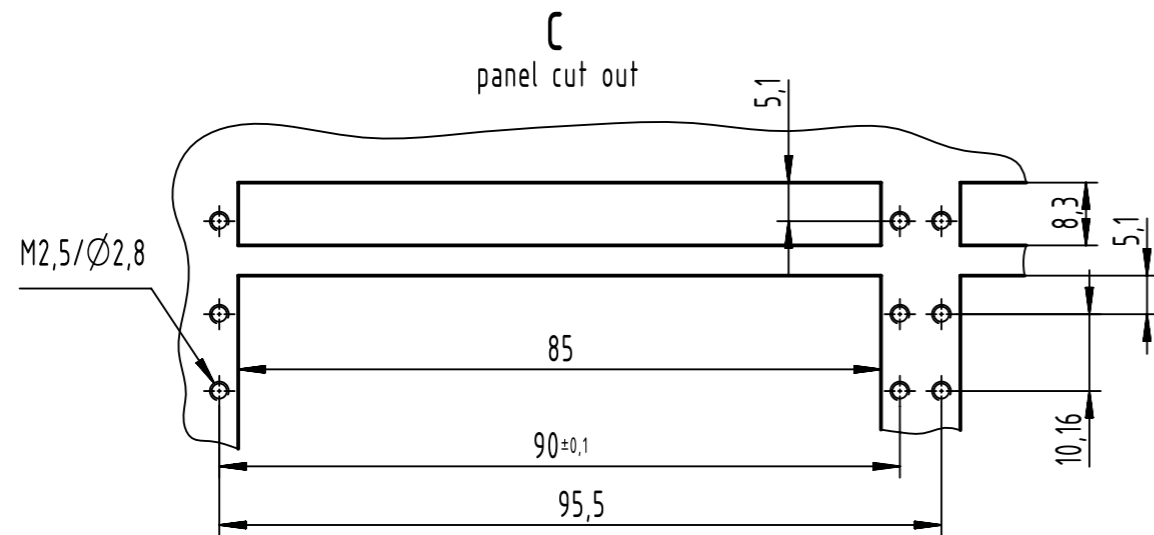


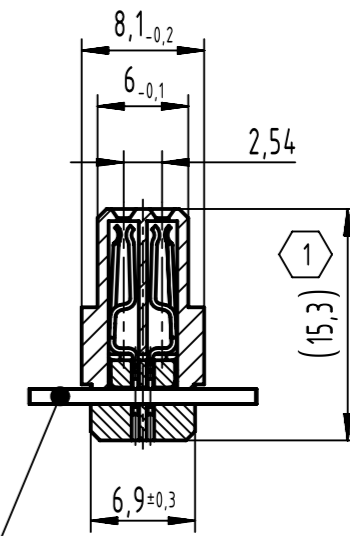
64 contacts

⊠ = position with contact

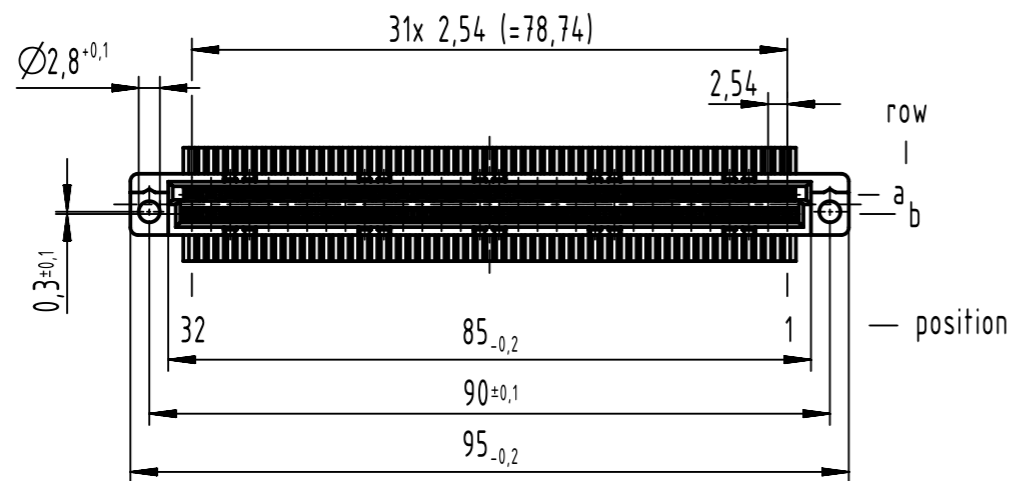
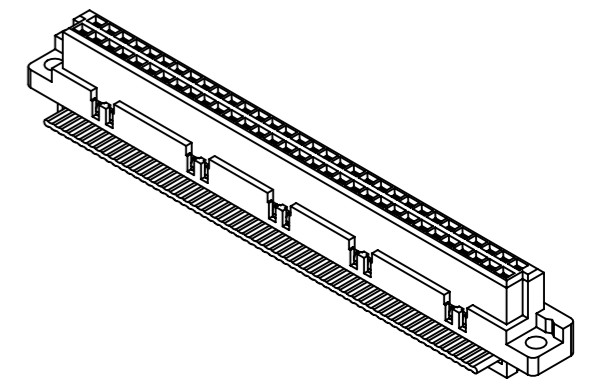
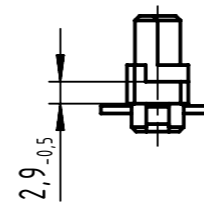
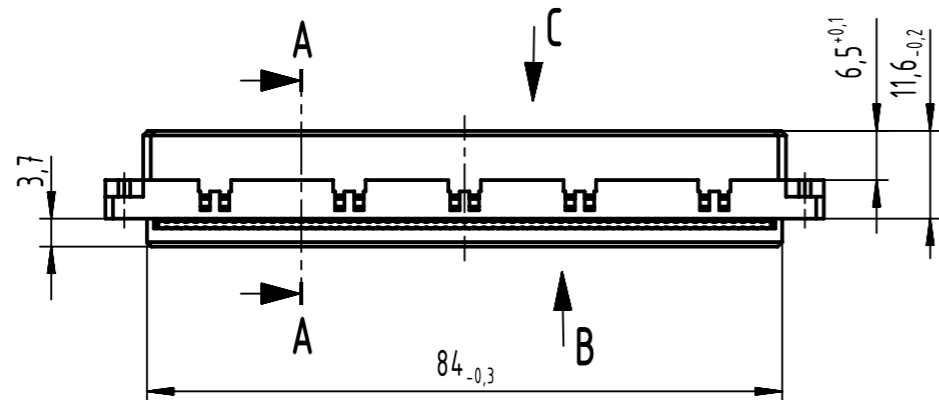
□ = position without contact



**A-A (2:1)**



flat cable AWG 28/7  
pitch 1,27mm  
(is not in scope of delivery)



lead number 1 of flat cable on contact 1b

⬡ total height for assembled connector

further information see product data sheet

|                |                   |
|----------------|-------------------|
| 09 02 264 7828 | 3                 |
| 09 02 264 6828 | 2                 |
| part-no        | performance level |

|                              |   |                        |                               |  |
|------------------------------|---|------------------------|-------------------------------|--|
|                              | All Dimensions in mm<br>Original Size DIN A3                  | Scale<br>1:1           | Free size tol.<br>IEC 60603-2 | Ref.   |
|                              | All rights reserved<br>Department EL PD                       | Created by<br>00103855 | Inspected by<br>STORCK        | Standardisation  |
| HARTING<br>D-32339 Espelkamp | Title<br>DIN Signal type B female for insulation displacement |                        |                               | Doc-Key / ECM-Nr.<br>100119619/UGD/002/C<br>500000219063 |
|                              | Type<br>TB  | Number<br>0902264X828  | Rev.<br>C                     | Page<br>1/1  |